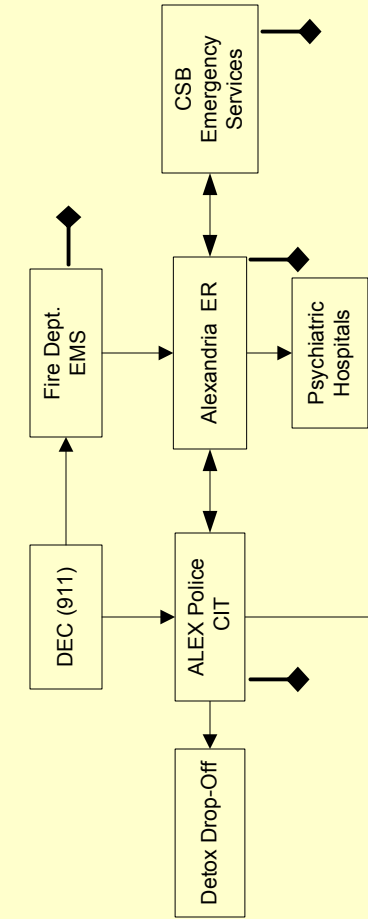


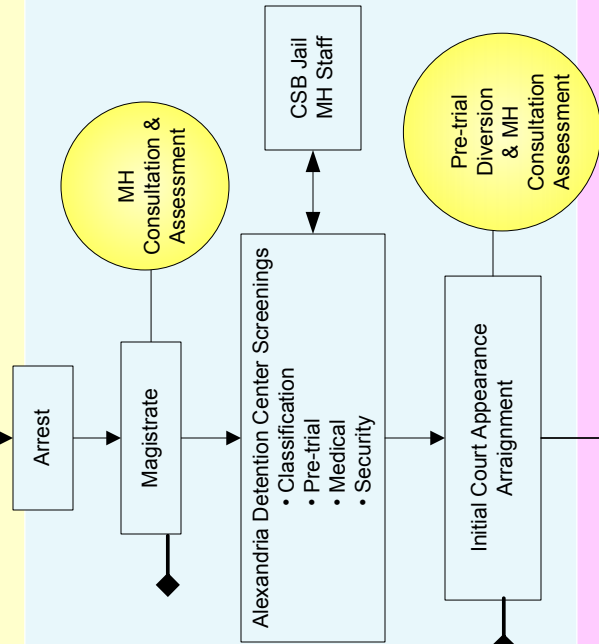
Alexandria, Virginia – Sequential Intercepts for Change: Criminal Justice—Behavioral Health Partnerships

March 21, 2011

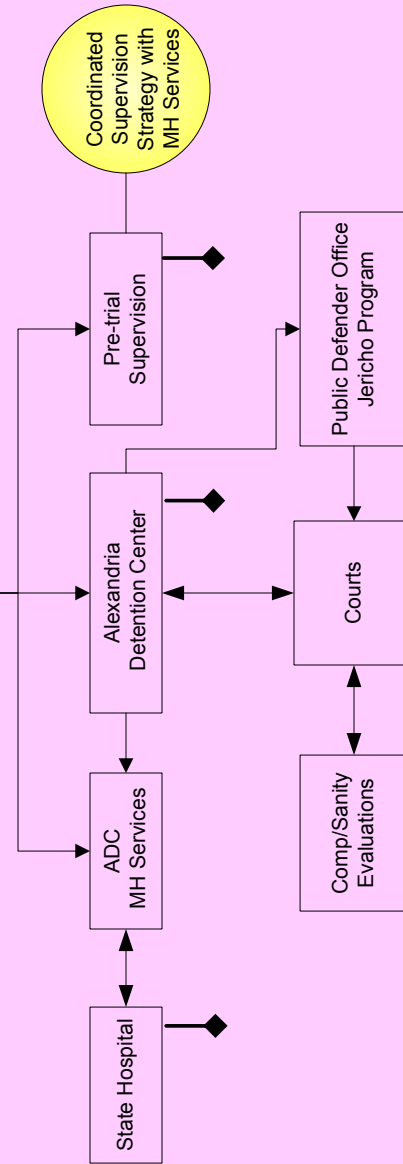
COMMUNITY



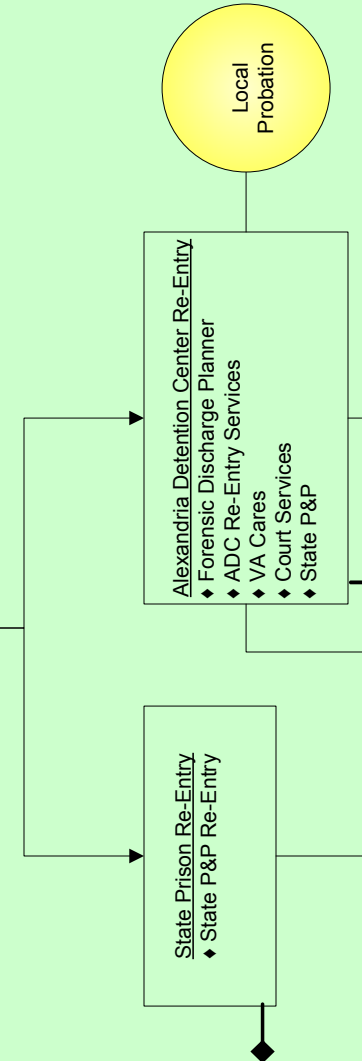
Intercept 1
Law Enforcement /
Emergency Services



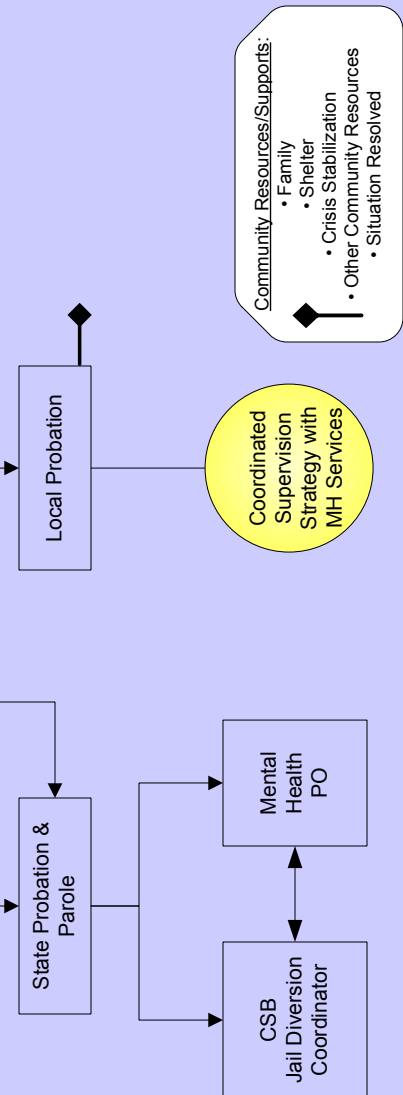
Intercept 2
Initial Detention /
Initial Court Hearings



Intercept 3
Jail / Courts



Intercept 4
Re-entry



Intercept 5
Community Corrections /
Community Support

COMMUNITY