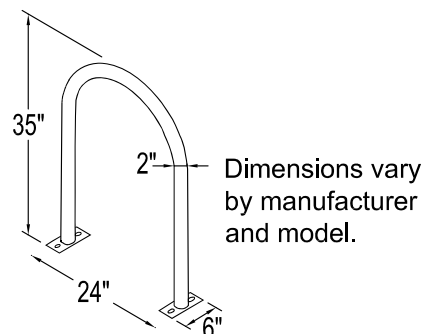


BICYCLE RACK DESIGNS

PREFERRED "Inverted U Rack" DESIGN



ACCEPTABLE DESIGNS



Creative Pipe Inc.
Model CPBR 2-F-P

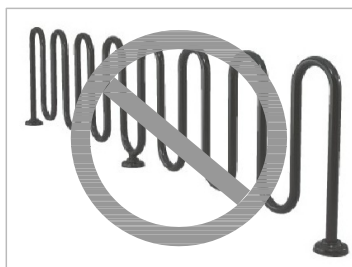


Oversized
Inverted U

UNACCEPTABLE DESIGNS



This type of rack can bend the wheel.



This type of rack does not support the bicycle frame in at least 2 places.

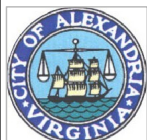
RACK ELEMENTS

The rack must:

- Support the bicycle frame in at least 2 places, allowing the frame and wheel to be locked using a U-lock or cable lock.
- Prevent the wheel of the bicycle from tipping over.
- Not damage the bicycle.
- Be durable and securely anchored.
- Allow front-in or back-in parking.

ACCEPTABLE MANUFACTURERS:

For a list of preferred vendors, visit www.alexride.org/bikeped.php and click on bicycle racks



Alexandria Department of Transportation
and Environmental Services
Bicycle and Pedestrian Program

REVISED:
April 2007
SCALE:
1" = 16'

A