

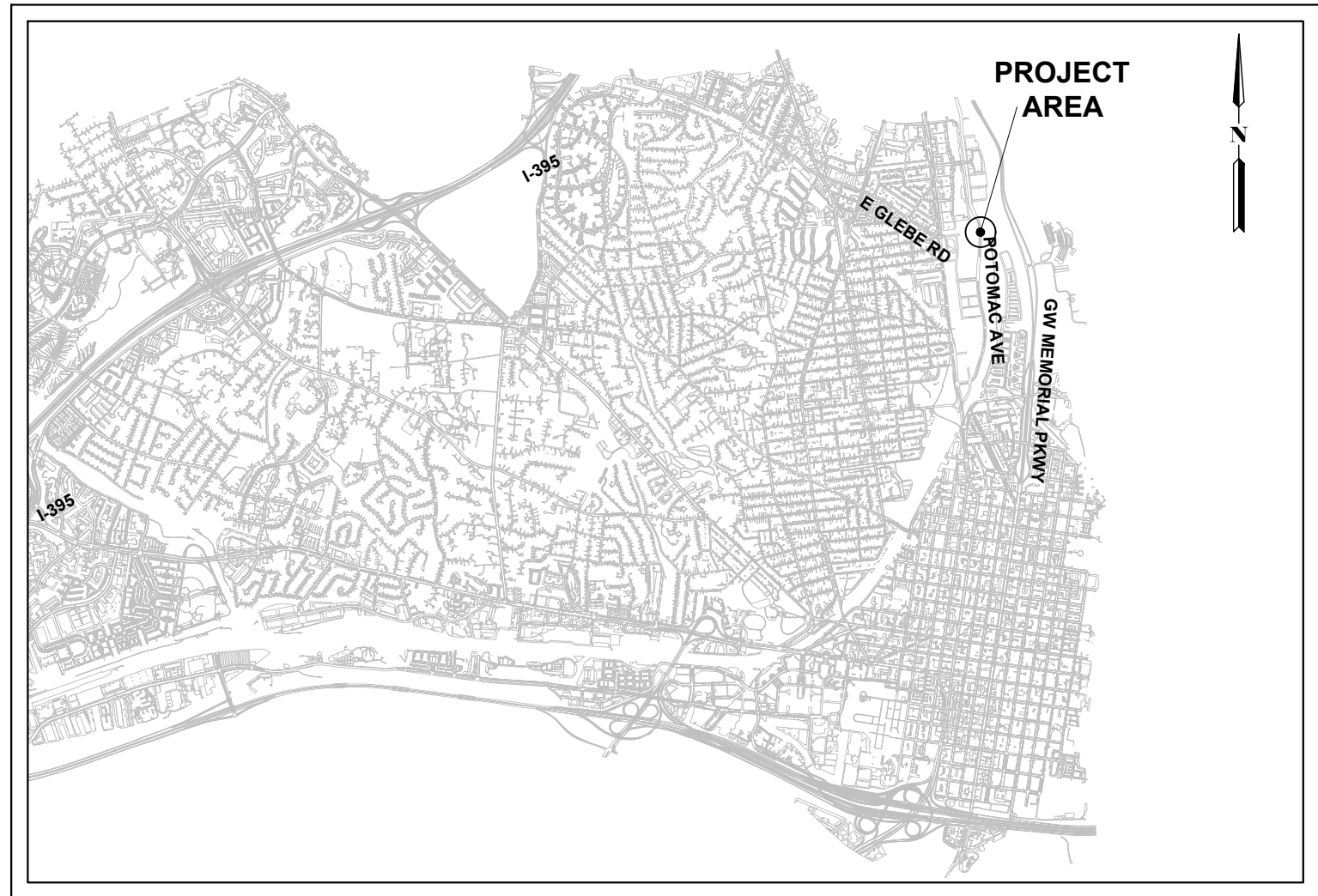
CITY OF  
**ALEXANDRIA**  
Virginia

Department of Transportation & Environmental Services

301 KING STREET  
ROOM 3600  
ALEXANDRIA, VA 22314

TEL. 703.746.4408  
www.alexandriava.gov

LOCATION MAP  
1"=4000'



PLANS FOR:

**POTOMAC YARD METRORAIL  
STATION SAFETY  
IMPROVEMENTS**

FEBRUARY 2022 - 30% SUBMITTAL

| INDEX OF SHEETS |                                       |
|-----------------|---------------------------------------|
| SHEET NUMBER    | TITLE                                 |
| 1               | G-1 COVER SHEET                       |
| 2               | G-2 GENERAL NOTES                     |
| 3               | C-1 PAVEMENT MARKING LEGEND & DETAILS |
| 4               | C-2 PAVEMENT MARKING & SIGNAGE PLAN   |
| 5               | D-1 ADDITIONAL DETAILS                |

REVISED 30% DESIGN SUBMISSION  
PRELIMINARY - NOT FOR CONSTRUCTION

H:\50000\50827\_P\_Potomac Yard Safety Improvements\PRODUCTION\CAD\PL\50827\_G\_01.dwg  
Tuesday, February 1, 2022 11:12:00 AM

**PROFESSIONAL CERTIFICATION**  
I HEREBY CERTIFY THAT THESE PLANS WERE PREPARED OR APPROVED BY ME, AND THAT I AM A DULY LICENSED PROFESSIONAL ENGINEER UNDER THE LAWS OF THE STATE OF VIRGINIA, LICENSE NO. 0402062860, EXPIRATION DATE: 11-30-22.

| REUSE OF DOCUMENTS   |     |     |      |          |         |
|--|-----|-----|------|----------|---------|
| ALL DRAWINGS ARE INSTRUMENTS OF PROFESSIONAL SERVICE FOR THIS PROJECT. REUSE OR ALTERATION IS AT THE USER'S SOLE RISK. |     |     |      |          |         |
| DSGN   | MMG |     |      |          |         |
| DR   | SMD |     |      |          |         |
| CHK  | ECG |     |      |          |         |
| APVD   | RLP | NO. | DATE | REVISION | BY APVD |

**TOOLE  
DESIGN**

8484 GEORGIA AVENUE, SUITE 800  
SILVER SPRING, MD 20910  
PHONE: 301.927.1900  
FAX: 301.927.2800  
www.tooledesign.com

POTOMAC YARD  
METRORAIL STATION  
SAFETY IMPROVEMENTS  
CITY OF ALEXANDRIA, VA

| GENERAL                |  |
|------------------------|--|
| <b>G-1 COVER SHEET</b> |  |

|             |            |
|-------------|------------|
| PROJECT NO. | 50827      |
| DATE        | 02/01/2022 |
| DRAWING NO. | G-1        |
| SHEET NO.   | 1 OF 5     |

## GENERAL NOTES

1. ALL CONSTRUCTION MATERIALS AND PROCEDURES SHALL BE GOVERNED BY THE LATEST VERSION OF THE STANDARD SPECIFICATIONS FOR HIGHWAYS AND STRUCTURES, ROAD DESIGN MANUAL, AND ROAD AND BRIDGE STANDARDS ISSUED BY THE VIRGINIA DEPARTMENT OF TRANSPORTATION (VDOT).
2. BASE MAPPING WAS PREPARED FROM GIS DATA PROVIDED BY THE CITY OF ALEXANDRIA. ALL DIMENSIONS AND EXISTING FEATURES SHALL BE VERIFIED IN THE FIELD PRIOR TO ORDERING MATERIALS FOR CONSTRUCTION. WHEN THESE PLANS ARE IN CONFLICT WITH ACTUAL SITE CONDITIONS, ANY DISCREPANCIES SHALL BE REPORTED TO THE CITY ENGINEER PRIOR TO BEGINNING WORK. PROPOSED STRIPING AND SIGNS MAY BE ADJUSTED AS DIRECTED BY THE CITY ENGINEER.
3. THE CONTRACTOR IS RESPONSIBLE FOR CONTACTING MISS UTILITY PRIOR TO BEGINNING WORK. ANY DAMAGE TO UTILITIES MUST BE REPAIRED OR REPLACED BY THE CONTRACTOR AT HIS OWN EXPENSE.
4. THE CONTRACTOR SHALL TAKE ADEQUATE PRECAUTION TO PROTECT ALL WALKS, GRADING, SIDEWALKS AND FEATURES OUTSIDE THE LIMITS OF WORK AND SHALL REPAIR AND REPLACE OR OTHERWISE MAKE GOOD AS DIRECTED BY THE CITY ENGINEER ANY OTHER DAMAGE SO CAUSED.

## SIGNING AND PAVEMENT MARKINGS

1. ALL STRIPING AND SIGN WORK SHALL MEET ALL APPLICABLE VDOT, CITY OF ALEXANDRIA STANDARDS AND SPECIFICATIONS, AND 2009 MANUAL ON UNIFORM TRAFFIC CONTROL (MUTCD) REQUIREMENTS.
2. ALL PAVEMENT MARKINGS ARE THERMOPLASTIC UNLESS OTHERWISE NOTED.
3. ALL EXISTING PAVEMENT MARKINGS MAY NOT BE SHOWN. ALL EXISTING PAVEMENT MARKINGS THAT CONFLICT WITH PROPOSED PAVEMENT MARKINGS SHALL BE ERADICATED.
4. DRIVEWAYS - NOT ALL DRIVEWAYS HAVE BEEN LOCATED FOR THIS STRIPING PLAN. FIELD VERIFY DRIVEWAY LOCATIONS BEFORE APPLYING STRIPING.
5. ALL SIGNS SHALL BE HIGH INTENSITY SHEETING MEETING THE REQUIREMENTS OF AASHTO M268.
6. PROPOSED SIGNS SHALL BE INSTALLED SO THAT NO PORTION OF THE SIGN PANEL OVERHANGS ADJACENT ROADWAY PAVEMENT, I.E. SHALL NOT OVERHANG BEYOND THE FACE OF CURB.
7. PROPOSED SIGN POSTS SHALL BE LOCATED A MINIMUM OF 2 FEET BEHIND ANY ADJACENT FACE OF CURB UNLESS SPECIFICALLY NOTED OTHERWISE. IF LOCATED IN OR ADJACENT TO SIDEWALKS, A 32" MINIMUM CLEAR AND 48" PREFERRED PASSING SPACE ON EXISTING AND PROPOSED SIDEWALKS SHALL BE MAINTAINED.
8. PROPOSED SIGNS AT NEW LOCATIONS SHALL BE INSTALLED SO THEY DO NOT BLOCK THE VISIBILITY OF ANY EXISTING SIGNS OR SIGNALS.
9. PROPOSED SIGNS AND POSTS SHALL BE CLEAR OF EXISTING FIRE HYDRANTS, SURFACE UTILITY, AND OVERHEAD UTILITY EQUIPMENT BY A MINIMUM OF 10 FEET.
10. FOR NEW POST INSTALLATION, THE CONTRACTOR SHALL VERIFY THERE ARE NO CONFLICTING UNDERGROUND OR OVERHEAD UTILITIES.
11. SIGNS MOUNTED TO EXISTING LIGHT, SIGNAL OR UTILITY POLES SHALL BE FASTENED WITH A MANUFACTURED STEEL BANDING SYSTEM. POLES SHALL NOT BE DRILLED DIRECTLY. THE CONTRACTOR SHALL SUBMIT MANUFACTURER INFORMATION ON THE BANDING SYSTEM TO THE CITY ENGINEER FOR APPROVAL PRIOR TO INSTALLATION.
12. IF SIGN INSTALLATION IS SHOWN ON A POLE THAT IS NOT OWNED BY THE CITY, WRITTEN PERMISSION MUST BE OBTAINED FROM THE OWNER (UTILITY COMPANY OR PROPERTY OWNER). THE CONTRACTOR IS RESPONSIBLE FOR OBTAINING REQUIRED PERMISSION.
13. ALL SIGN LOCATIONS SHOWN ON THE PLANS ARE SCHEMATIC AND MAY NOT REFLECT ACTUAL FIELD LOCATIONS. THE CONTRACTOR SHALL VERIFY EACH LOCATION PRIOR TO INSTALLING A SIGN. IF AT ANY POINT THE CONTRACTOR FINDS A CONFLICT, THE CONTRACTOR SHALL CONTACT THE CITY ENGINEER PRIOR TO INSTALLING THE PROPOSED SIGN. PROPOSED SIGN LOCATIONS CAN BE ADJUSTED AS APPROVED BY THE CITY ENGINEER.

## MAINTENANCE OF TRAFFIC

1. VIRGINIA MUTCD, VDOT AND CITY OF ALEXANDRIA STANDARD DETAILS AND PROCEDURES FOR MAINTENANCE OF TRAFFIC SHALL BE USED FOR INSTALLATION OF ALL PROJECT FEATURES.
2. ALL EXISTING RESIDENTIAL AND COMMERCIAL DRIVEWAYS AND PUBLIC ALLEY ENTRANCES SHALL REMAIN OPEN AT ALL TIMES, UNLESS OTHERWISE DIRECTED BY THE CITY ENGINEER.
3. FOR LOCATIONS WHERE THE WORK WILL BE COMPLETE WITHIN ONE WORKING DAY, THE CONTRACTOR SHALL UTILIZE SIGNS, BARRICADES, CHANNELIZING DEVICES, CHANGEABLE MESSAGE BOARDS, AND WARNING LIGHTS AS NECESSARY TO COMPLY WITH VDOT AND MUTCD REQUIREMENTS FOR SHORT-TERM STATIONARY WORK AND MOBILE WORK.
4. TEMPORARY "MOBILE" LANE CLOSURES UTILIZING VEHICLES WITH WARNING LIGHTS AND SIGNS PER MUTCD WILL BE ALLOWED FOR LANE CLOSURES WHERE THE WORK WILL BE COMPLETED WITHIN ONE WORKING DAY. FOR LOCATIONS WHERE THE WORK WILL NOT BE COMPLETE WITHIN ONE WORKING DAY OR OCCUR AT NIGHT, THE CONTRACTOR SHALL UTILIZE SIGNS, BARRICADES, CHANNELIZING DEVICES, CHANGEABLE MESSAGE BOARDS, AND WARNING LIGHTS AS NECESSARY TO COMPLY WITH VDOT AND MUTCD REQUIREMENTS FOR INTERMEDIATE-TERM STATIONARY WORK.
5. THE SIDEWALKS AND CROSSWALKS MUST REMAIN OPEN AT ALL TIMES UNLESS OTHERWISE DIRECTED BY THE CITY ENGINEER.
6. TEMPORARY SIGNS SHALL BE INSTALLED PRIOR TO THE COMMENCEMENT OF WORK AND REMOVED IMMEDIATELY AFTER COMPLETION OF ACTIVITIES.
7. FULL VIEW OF ADVANCE WARNING SIGNS SHALL BE CLEAR OF OBSTRUCTION ON APPROACH TO WORK ZONE.
8. THE CONTRACTOR SHALL OBTAIN THE NECESSARY NOISE PERMIT FOR WEEKEND AND NIGHT-TIME WORK.
9. ALL AFFECTED TRAVEL LANES SHALL MAINTAIN A 10-FOOT MINIMUM WIDTH UNLESS OTHERWISE DIRECTED BY THE CITY ENGINEER.

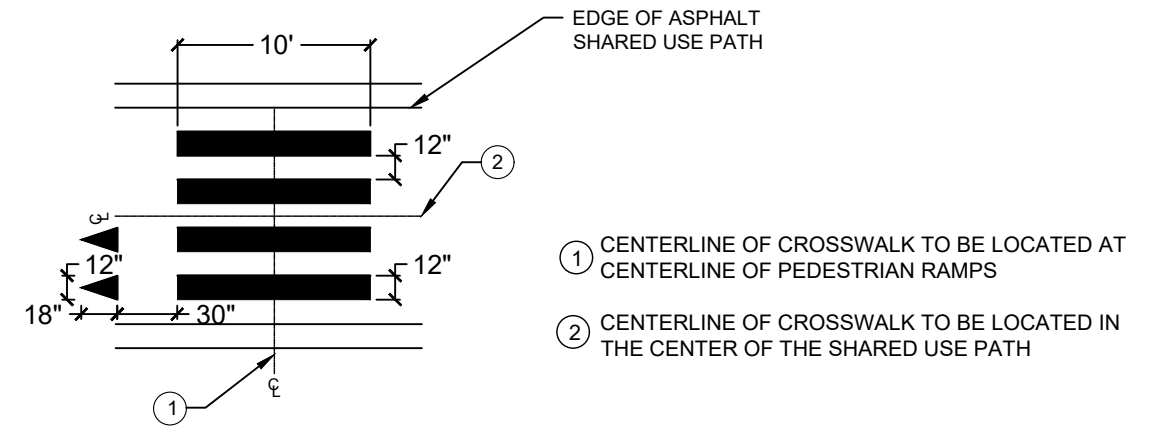
**REVISED 30% DESIGN SUBMISSION  
PRELIMINARY - NOT FOR CONSTRUCTION**

H:\50000\50827\_P\_Potomac Yard Safety Improvements\PRODUCTION\CAD\PL\50827\_G\_01.dwg  
Tuesday, February 1, 2022 11:12:07 AM

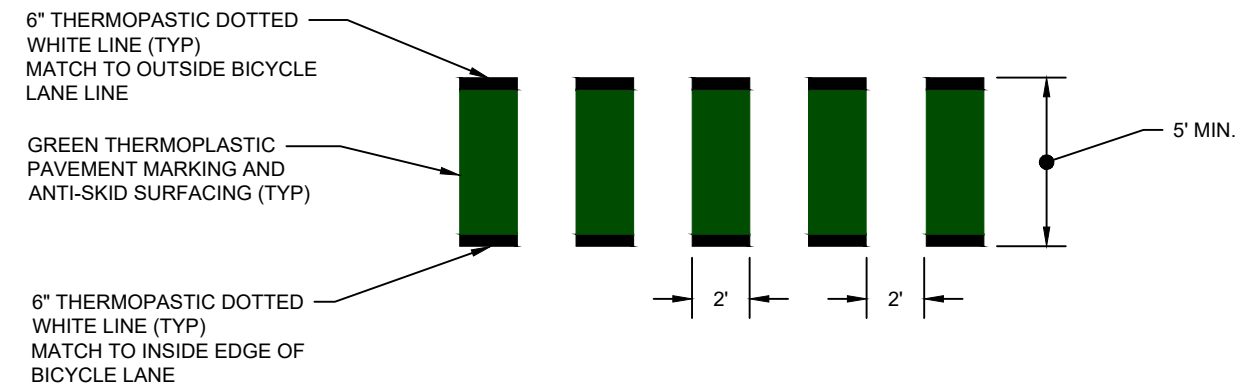
|   |  |  |   |  |   |  |  |    |     |  |  |  |  |     |     |  |  |  |  |      |     |     |      |          |         |  |  |  |  |
|---|--|--|---|--|---|--|--|----|-----|--|--|--|--|-----|-----|--|--|--|--|------|-----|-----|------|----------|---------|--|--|--|--|
| <b>PROFESSIONAL CERTIFICATION</b><br><br>I HEREBY CERTIFY THAT THESE PLANS WERE PREPARED OR APPROVED BY ME, AND THAT I AM A DULY LICENSED PROFESSIONAL ENGINEER UNDER THE LAWS OF THE STATE OF VIRGINIA, LICENSE NO. 0402062860, EXPIRATION DATE: 11-30-22. | <b>REUSE OF DOCUMENTS</b><br>ALL DRAWINGS ARE INSTRUMENTS OF PROFESSIONAL SERVICE FOR THIS PROJECT. REUSE OR ALTERATION IS AT THE USER'S SOLE RISK.  | 8484 GEORGIA AVENUE, SUITE 800<br>SILVER SPRING, MD 20910<br>PHONE: 301.927.1900<br>FAX: 301.927.2800<br>www.tooledesign.com | <b>POTOMAC YARD<br/>METRORAIL STATION<br/>SAFETY IMPROVEMENTS</b><br>CITY OF ALEXANDRIA, VA | <b>GENERAL</b><br><br><b>G-2 GENERAL NOTES</b> | PROJECT NO.<br>50827<br><br>DATE<br>02/01/2022<br><br>DRAWING NO.<br>G-2<br><br>SHEET NO.<br>2 OF 5 |  |  |    |     |  |  |  |  |     |     |  |  |  |  |      |     |     |      |          |         |  |  |  |  |
|   | <table border="1" style="width: 100%; border-collapse: collapse;"> <tr> <td>DSGN</td> <td>MMG</td> <td></td> <td></td> <td></td> <td></td> </tr> <tr> <td>DR</td> <td>SMD</td> <td></td> <td></td> <td></td> <td></td> </tr> <tr> <td>CHK</td> <td>ECG</td> <td></td> <td></td> <td></td> <td></td> </tr> <tr> <td>APVD</td> <td>RLP</td> <td>NO.</td> <td>DATE</td> <td>REVISION</td> <td>BY APVD</td> </tr> </table> | DSGN   | MMG   |  |   |  |  | DR | SMD |  |  |  |  | CHK | ECG |  |  |  |  | APVD | RLP | NO. | DATE | REVISION | BY APVD |  |  |  |  |
| DSGN  | MMG  |  |   |  |   |  |  |    |     |  |  |  |  |     |     |  |  |  |  |      |     |     |      |          |         |  |  |  |  |
| DR  | SMD  |  |   |  |   |  |  |    |     |  |  |  |  |     |     |  |  |  |  |      |     |     |      |          |         |  |  |  |  |
| CHK   | ECG  |  |   |  |   |  |  |    |     |  |  |  |  |     |     |  |  |  |  |      |     |     |      |          |         |  |  |  |  |
| APVD  | RLP  | NO.  | DATE  | REVISION                                       | BY APVD   |  |  |    |     |  |  |  |  |     |     |  |  |  |  |      |     |     |      |          |         |  |  |  |  |

# MARKING LEGEND

| EXISTING | PROPOSED |   |
|----------|----------|---|
|          |          | FLEX POST                                 |
|          |          | SIGN AND POST                             |
|          |          | HELMETED SHARED LANE MARKING              |
|          |          | 4" SOLID WHITE LANE LINE                  |
|          |          | 4" DOTTED WHITE LINE (2' STRIPE, 4' SKIP) |
|          |          | 4" SOLID YELLOW LANE LINE                 |
|          |          | 4" DOUBLE SOLID YELLOW CENTERLINE         |
|          |          | 12" STOP LINE OR CROSSWALK LINE           |
|          |          | 24" STOP LINE OR CROSSWALK LINE           |
|          |          | WHITE PAVEMENT ARROW                      |
|          |          | GREEN-COLORED MMA PAINT                   |
|          |          | SIGN                                      |
|          |          | FIRE HYDRANT                              |
|          |          | SIGNAL POLE                               |
|          |          | LIGHT POLE                                |
|          |          | PUSH BUTTON                               |
|          |          | TRAFFIC CABINET / BOX                     |
|          |          | STORM INLET                               |
|          |          | CONCRETE PAVEMENT                         |



**101** BIKEWAY CROSSING DETAIL  
SCALE: N.T.S.



**102** BIKEWAY CROSSING DETAIL  
SCALE: N.T.S.

REVISED 30% DESIGN SUBMISSION  
PRELIMINARY - NOT FOR CONSTRUCTION

H:\50000\50827\_P\_Potomac Yard Safety Improvements\PRODUCTION\CAD\PL\50827\_G\_01.dwg Tuesday, February 1, 2022 11:12:11 AM

**PROFESSIONAL CERTIFICATION**  
I HEREBY CERTIFY THAT THESE PLANS WERE PREPARED OR APPROVED BY ME, AND THAT I AM A DULY LICENSED PROFESSIONAL ENGINEER UNDER THE LAWS OF THE STATE OF VIRGINIA, LICENSE NO. 0402062860, EXPIRATION DATE: 11-30-22.

| REUSE OF DOCUMENTS   |     |     |      |          |         |
|--|-----|-----|------|----------|---------|
| ALL DRAWINGS ARE INSTRUMENTS OF PROFESSIONAL SERVICE FOR THIS PROJECT. REUSE OR ALTERATION IS AT THE USER'S SOLE RISK. |     |     |      |          |         |
| DSGN   | MMG |     |      |          |         |
| DR   | SMD |     |      |          |         |
| CHK  | ECG |     |      |          |         |
| APVD   | RLP | NO. | DATE | REVISION | BY APVD |

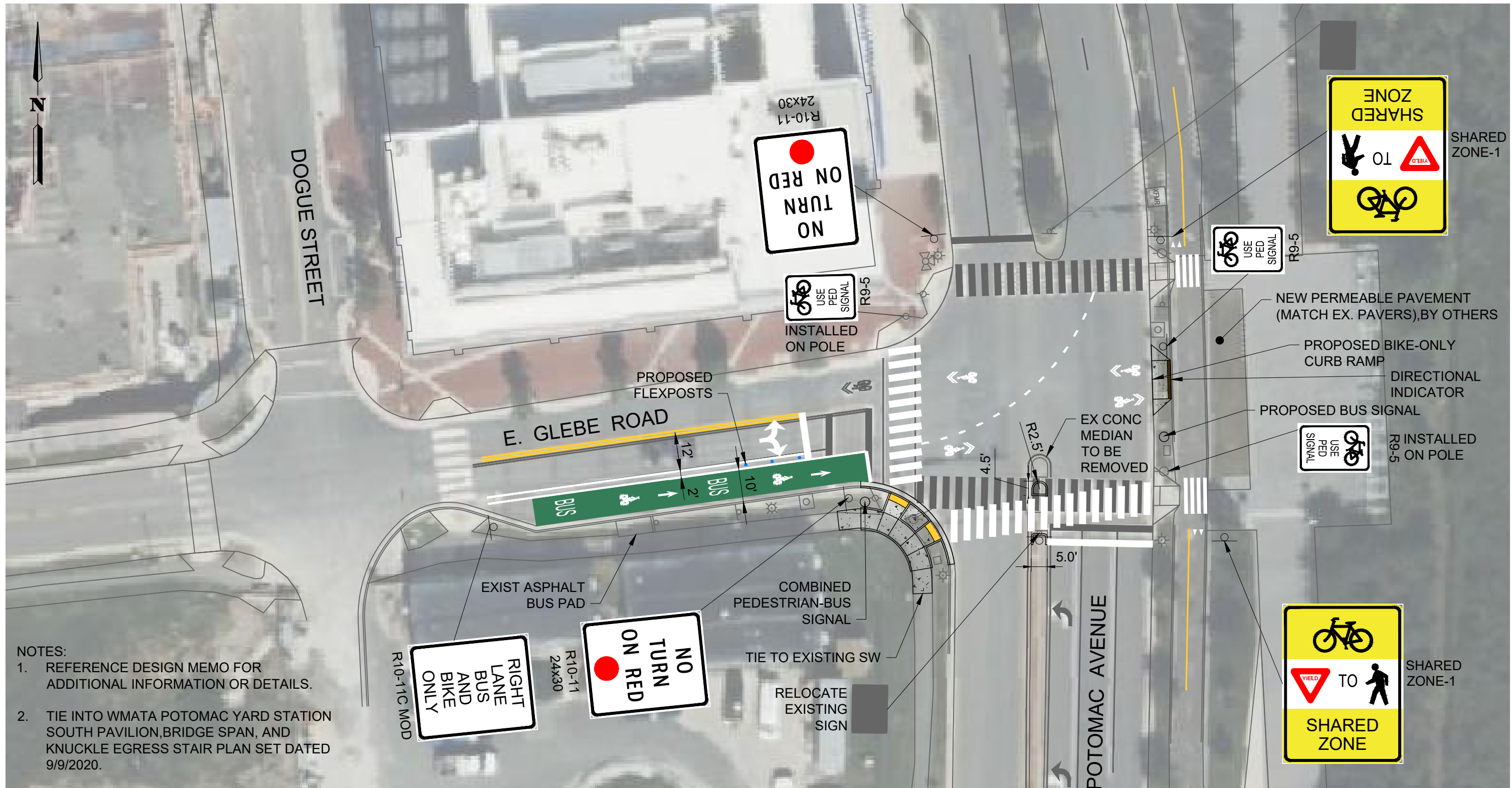
**TOOLE DESIGN**

8484 GEORGIA AVENUE, SUITE 800  
SILVER SPRING, MD 20910  
PHONE: 301.927.1900  
FAX: 301.927.2800  
www.tooledesign.com

POTOMAC YARD  
METRORAIL STATION  
SAFETY IMPROVEMENTS  
CITY OF ALEXANDRIA, VA

| GENERAL  |  |
|--|--|
| <b>C-1 PAVEMENT MARKING LEGEND &amp; DETAILS</b> |  |

|             |            |
|-------------|------------|
| PROJECT NO. | 50827      |
| DATE        | 02/01/2022 |
| DRAWING NO. | C-1        |
| SHEET NO.   | 3 OF 5     |



- NOTES:
1. REFERENCE DESIGN MEMO FOR ADDITIONAL INFORMATION OR DETAILS.
  2. TIE INTO WMATA POTOMAC YARD STATION SOUTH PAVILION, BRIDGE SPAN, AND KNUCKLE EGRESS STAIR PLAN SET DATED 9/9/2020.



REVISED 30% DESIGN SUBMISSION  
PRELIMINARY - NOT FOR CONSTRUCTION

**PROFESSIONAL CERTIFICATION**

I HEREBY CERTIFY THAT THESE PLANS WERE PREPARED OR APPROVED BY ME, AND THAT I AM A DULY LICENSED PROFESSIONAL ENGINEER UNDER THE LAWS OF THE STATE OF VIRGINIA, LICENSE NO. 0402062860, EXPIRATION DATE: 11-30-22.

| REUSE OF DOCUMENTS |     | ALL DRAWINGS ARE INSTRUMENTS OF PROFESSIONAL SERVICE FOR THIS PROJECT. REUSE OR ALTERATION IS AT THE USER'S SOLE RISK. |      |
|--------------------|-----|--|------|
| DSGN               | MMG |  |      |
| DR                 | SMD |  |      |
| CHK                | ECG |  |      |
| APVD               | RLP | NO.  | DATE |
|                    |     | REVISION   | BY   |
|                    |     |  | APVD |

**TOOLE DESIGN**

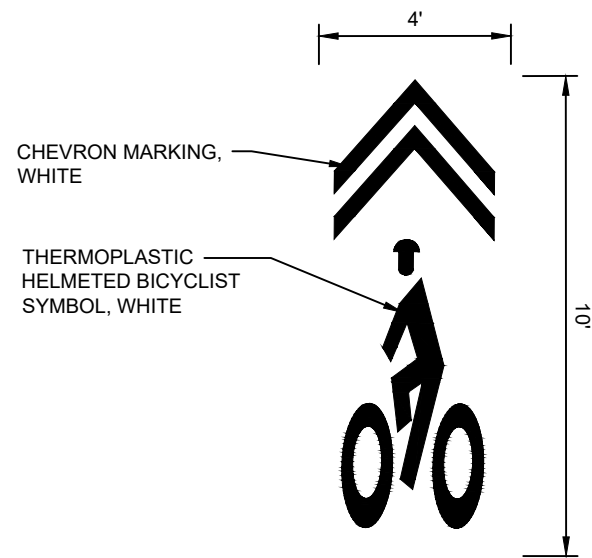
8484 GEORGIA AVENUE, SUITE 800  
SILVER SPRING, MD 20910  
PHONE: 301.927.1900  
FAX: 301.927.2800  
www.tooledesign.com

POTOMAC YARD  
METRORAIL STATION  
SAFETY IMPROVEMENTS  
CITY OF ALEXANDRIA, VA

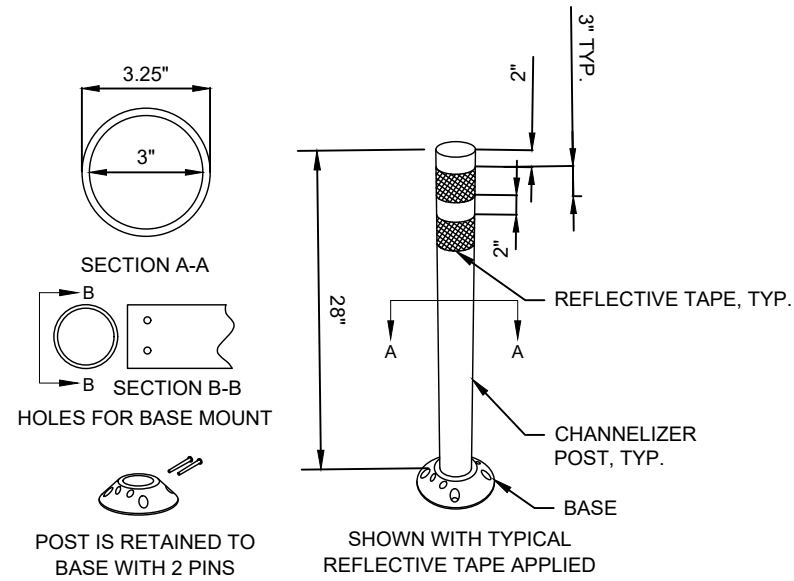
CIVIL

**C-2 PAVEMENT MARKING & SIGNAGE PLAN**

|             |            |
|-------------|------------|
| PROJECT NO. | 50827      |
| DATE        | 02/01/2022 |
| DRAWING NO. | C-2        |
| SHEET NO.   | 4 OF 5     |



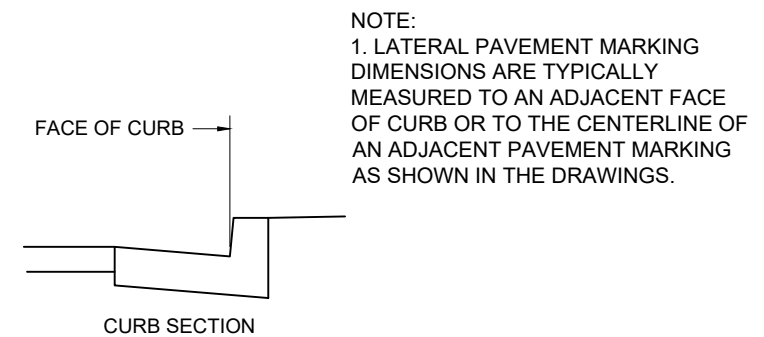
**103** SHARED LANE MARKING  
SCALE: N.T.S.



**104** 28" WHITE FLEXIBLE CHANNELIZER POST DETAIL  
SCALE: N.T.S.

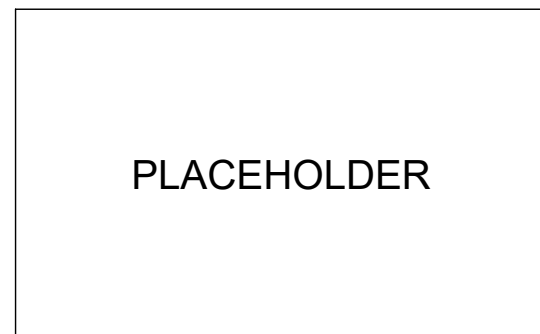
FLEXIBLE CHANNELIZER POST PLACEMENT NOTES:

1. INSTALLATION TO BE COMPLETED IN ACCORDANCE WITH MANUFACTURER'S SPECIFICATIONS.
2. DIMENSIONS, MATERIALS, AND ATTACHMENTS MAY VARY BETWEEN MANUFACTURERS.
3. COLOR OF POST AND REFLECTIVE TAPE SHALL MATCH COLOR OF APPLICABLE EDGE LINE.
4. SUGGESTED MANUFACTURERS INCLUDE: FILTRONA EXTRUSIONS, SAFE-HIT, CARSONITE COMPOSITES, QWICK KURB, BENT MANUFACTURING, IMPACT RECOVERY SYSTEMS, OR APPROVED EQUAL.

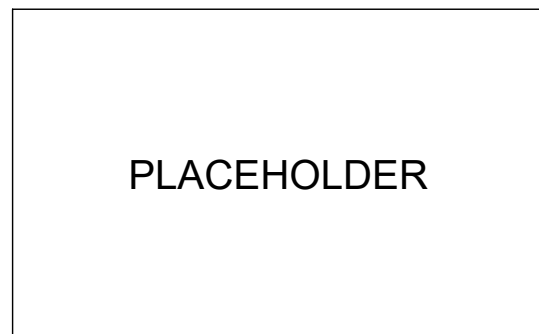


**105** TYPICAL LATERAL STRIPING DIMENSIONS  
SCALE: N.T.S.

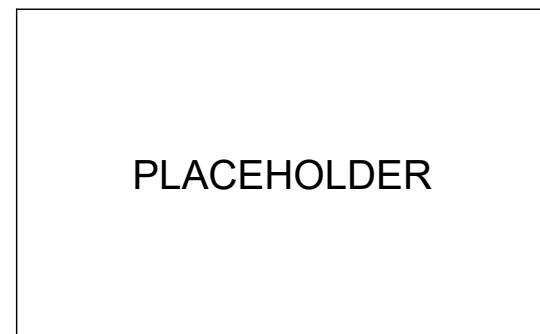
NOTE:  
1. LATERAL PAVEMENT MARKING DIMENSIONS ARE TYPICALLY MEASURED TO AN ADJACENT FACE OF CURB OR TO THE CENTERLINE OF AN ADJACENT PAVEMENT MARKING AS SHOWN IN THE DRAWINGS.



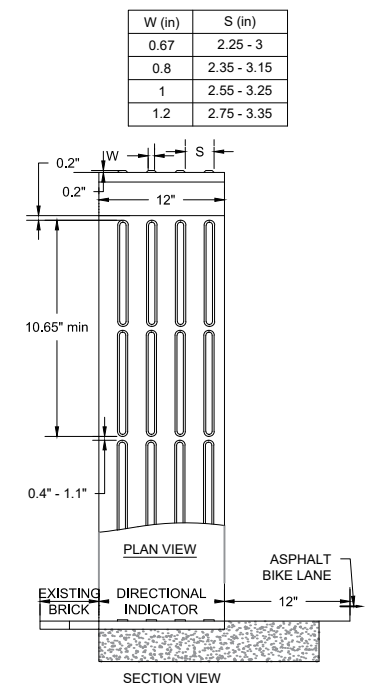
**106** SW CURB RAMP DETAIL  
SCALE: N.T.S.



**107** MEDIAN NOSE DETAIL  
SCALE: N.T.S.



**108** SIGNAL HEAD DETAIL  
SCALE: N.T.S.



**109** DIRECTIONAL INDICATOR DETAIL  
SCALE: N.T.S.

REVISED 30% DESIGN SUBMISSION  
PRELIMINARY - NOT FOR CONSTRUCTION

PROFESSIONAL CERTIFICATION  
I HEREBY CERTIFY THAT THESE PLANS WERE PREPARED OR APPROVED BY ME, AND THAT I AM A DULY LICENSED PROFESSIONAL ENGINEER UNDER THE LAWS OF THE STATE OF VIRGINIA, LICENSE NO. 0402062860, EXPIRATION DATE: 11-30-22.

| REUSE OF DOCUMENTS   |     |     |      |          |         |
|--|-----|-----|------|----------|---------|
| ALL DRAWINGS ARE INSTRUMENTS OF PROFESSIONAL SERVICE FOR THIS PROJECT. REUSE OR ALTERATION IS AT THE USER'S SOLE RISK. |     |     |      |          |         |
| DSGN   | MMG |     |      |          |         |
| DR   | SMD |     |      |          |         |
| CHK  | ECG |     |      |          |         |
| APVD   | RLP | NO. | DATE | REVISION | BY APVD |

**TOOLE DESIGN**  
8484 GEORGIA AVENUE, SUITE 800  
SILVER SPRING, MD 20910  
PHONE: 301.927.1900  
FAX: 301.927.2800  
www.tooledesign.com

POTOMAC YARD  
METRORAIL STATION  
SAFETY IMPROVEMENTS  
CITY OF ALEXANDRIA, VA

| CIVIL                  |  |
|------------------------|--|
| D-1 ADDITIONAL DETAILS |  |

|             |            |
|-------------|------------|
| PROJECT NO. | 50827      |
| DATE        | 02/01/2022 |
| DRAWING NO. | D1         |
| SHEET NO.   | 5 OF 5     |